

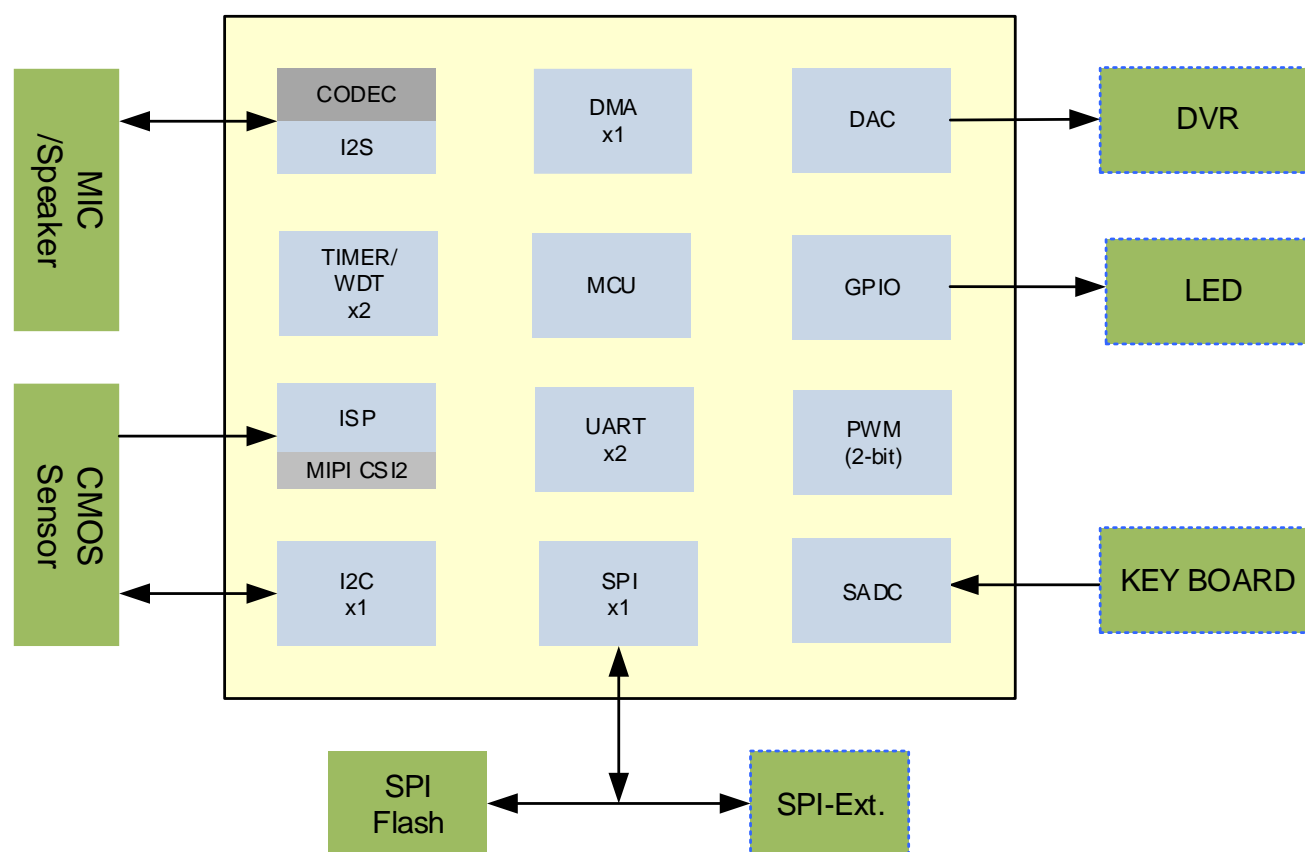
FH8538E: 5M High Performance ISP

FH8538E is a new generation high performance ISP CIS (CMOS Image Sensor) and targeted on professional surveillance CCTV camera with internal HD analog Tx. FH8538E has high integration level, including internal video DAC. FH8538E has rich interfaces, including high resolution ADC, difference MIC, 2 line SPI, PWM and GPIOs.

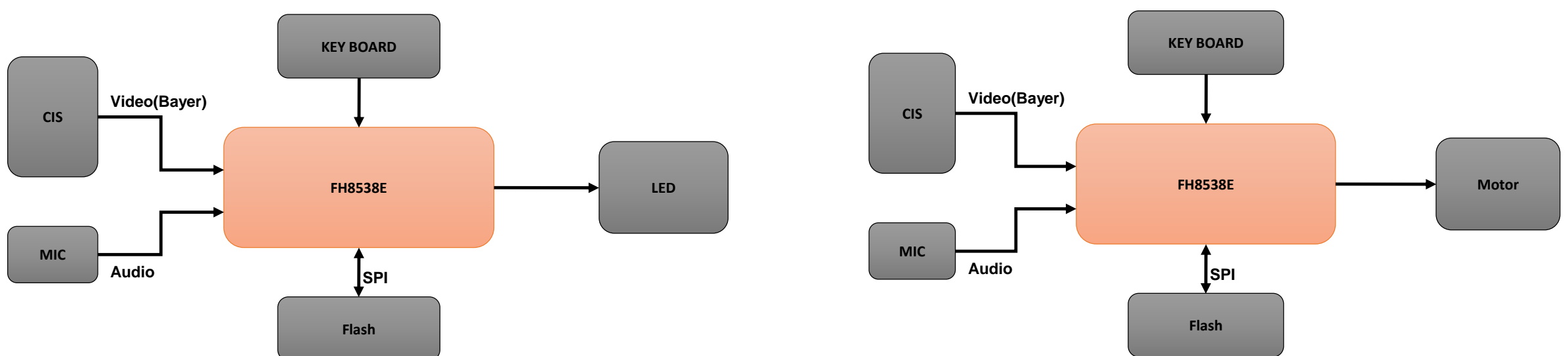
Features:

CIS Input	Support 3072x1728 Input	Video Output	Analog Output: CVBS/AHD/TVI/CVI
	4-lane MIPI Input		Output: up to 5MP
	Support RGB Bayer	Coaxial Protocol	Support PTZ control Support analog/digital audio protocols.
ISP Function	Bad pixel removal	External Interface	1*I2C
	High performance CFA interpolation		1*SPI
	Adaptive 2D de-noise		GPIO
	Auto white balance / Auto exposure		4*SADC
	Video Enhancement (brightness, sharpness, contrast, hue, saturation adjustment)		1*I2S
CPU	32bit RISC MCU		2*PWM
Audio	Single channel differential MIC	OSD Function	2*UART
	ADC SNR 94dB	1xTOSD, 1xGOSD (up to 1080P)	
		Package	QFN68 (7mmx7mm, pitch=0.35mm)

Diagram:



Typical Application Solution:



Contact us: Shanghai Fullhan Microelectronics Co., Ltd.
 Address: No. 717 Yishan Road, Block 2, Floor 6,
 Xuhui District, Shanghai. Tel: +86 21 6112 1558 Fax: +86
 21 6406 6786 Email: Sales@fullhan.com
www.fullhan.com

