

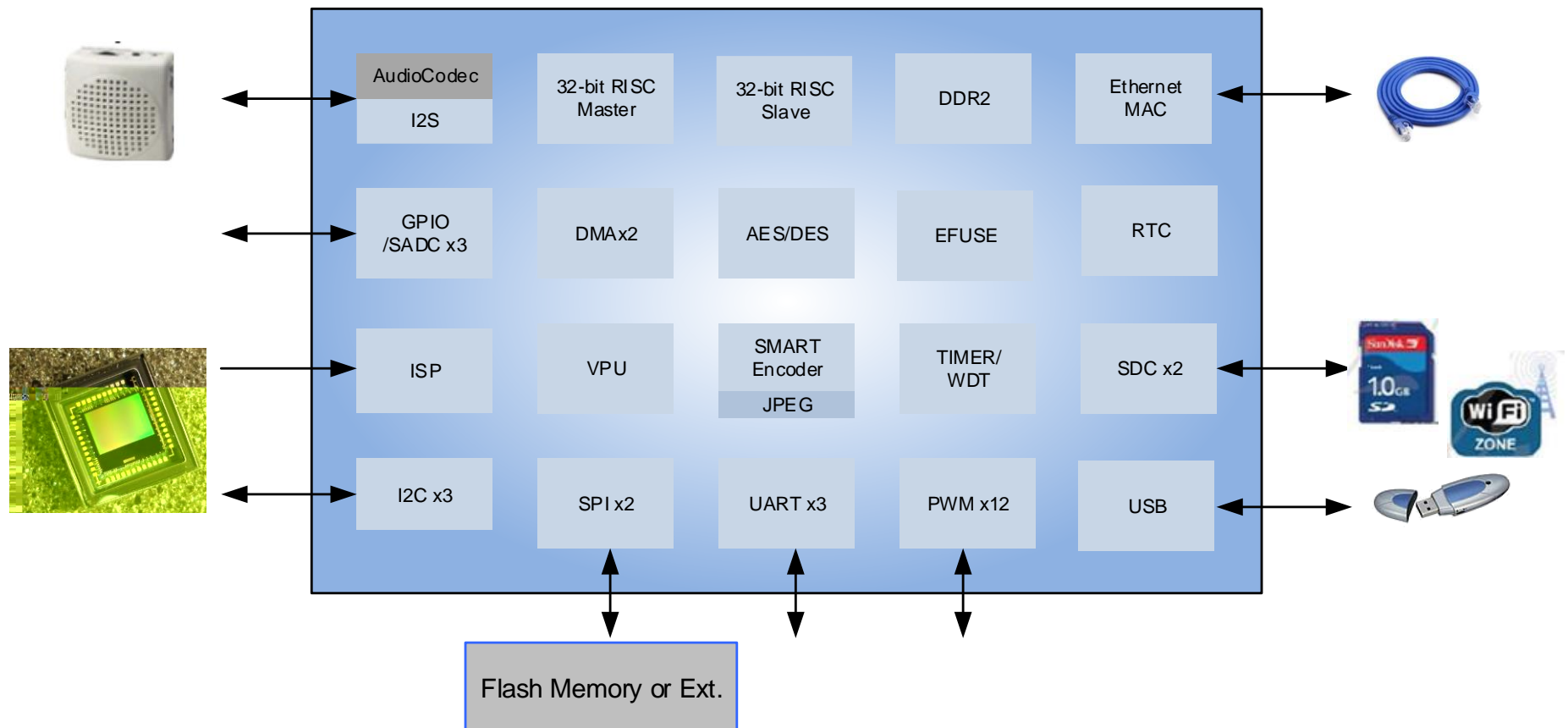
FH8626V100: 1080P IP Camera SoC

High performance CFA interpolation
Adaptive 2D de-noise, 3D de-noise, High Performance YUV de-noise
Auto white balance / Auto exposure
Video Enhancement, Digital Zoom (brightness, sharpness, contrast, hue, saturation adjustment)
H.264 Encoder
1920*1080+768*432+352*288@15fps
Support JPEG encoder: 1920*1080@3fps
Support AES/DES
Support EFUSE Memory inside

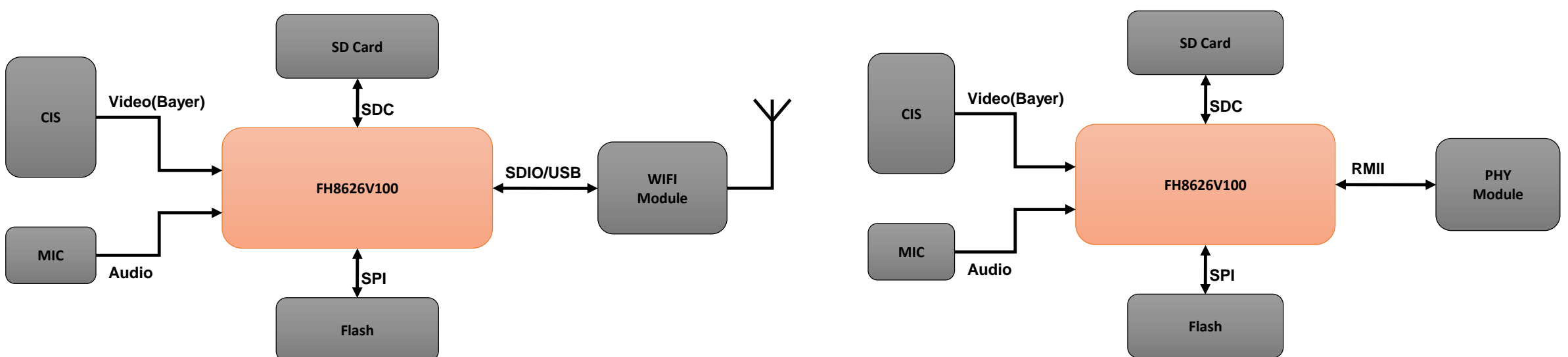
Features:

CPU	32bit CPU@600Mhz	Ethernet	10M/100Mbps full-duplex or half-duplex mode
CIS Input	Support 1920*1080@15fps Input DVP/MIPI Input	Audio	Support one channel ADC and one channel DAC 3*I2C ; 2*SPI
ISP Function	High performance CFA interpolation Adaptive 2D de-noise, 3D de-noise, High Performance YUV de-noise Auto white balance / Auto exposure Video Enhancement, Digital Zoom (brightness, sharpness, contrast, hue, saturation adjustment)	External Interface	1*USB GPIO 3*SADC PWM 3*UART 2*SDIO
Video Encoder	H.264 Encoder 1920*1080+768*432+352*288@15fps Support JPEG encoder: 1920*1080@3fps	OSD Function	Support user defined and multi-channel OSD
Security	Support AES/DES Support EFUSE Memory inside	Package	QFN88 (9mm x 9mm, pitch = 0.35mm)

Diagram



Typical Application Solution:



Contact us
Shanghai Fullhan Microelectronics Co., Ltd.
Address: No . 717 Yishan Road Block 2 Floor 6
Xuhui District Shanghai.
Tel: +86 21 6112 1558
Fax: +86 21 6406 6786
Email: Sales@fullhan.com
www.fullhan.com

